

**Features**

- Optimized for high current rectifiers
- Very low threshold voltage and slop resistance
- Very low thermal resistance

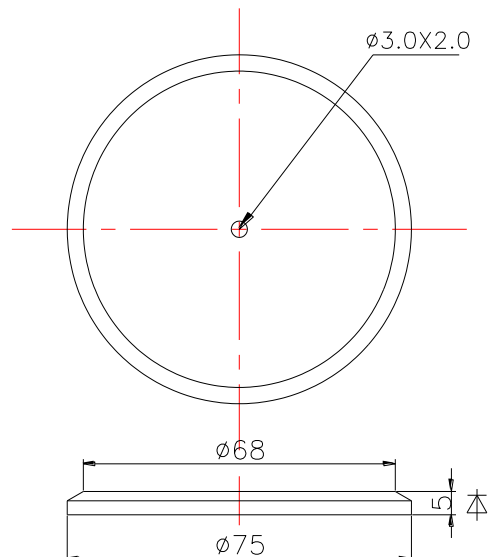
**Typical Applications**

- High current application For Welders up to 2000Hz
- Electrode plating

**$I_{F(AV)}$  18000 A**  
 **$V_{RRM}$  200~400 V**  
 **$I_{FSM}$  135 kA**  
 **$I^2t$  90000  $10^3 A^2S$**



SYMBOL	CHARACTERISTIC	TEST CONDITIONS	$T_I(^{\circ}C)$	VALUE			UNIT
				Min	Type	Max	
$I_{F(AV)}$	Mean forward current	180° half sine wave 50Hz Double side cooled, $T_C=85^{\circ}C$	175			18000	A
$V_{RRM}$	Repetitive peak reverse voltage	$V_{RRM}$ tp=10ms $V_{RSM}=V_{RRM}+100V$	175	200		400	V
$I_{RRM}$	Repetitive peak current	at $V_{RRM}$	175			80	mA
$I_{FSM}$	Surge forward current	10ms half sine wave	175			135	kA
$I^2t$	$I^2T$ for fusing coordination	$V_R=0V_{RRM}$				90000	$A^2s \cdot 10^3$
$V_{FO}$	Threshold voltage	$I_{FM}=12000-24000A$	175			0.75	V
$r_F$	Forward slop resistance					0.017	mΩ
$V_{FM}$	Max Peak on-state voltage	$I_{FM}=6000A$	25			1.00	V
$Q_{rr}$	Recovery charge	$I_{FM}=1000A, tp=2000\mu s, di/dt=-20A/\mu s, V_R=50V$	175			300	$\mu C$
$R_{th(j-c)}$	Thermal resistance Junction to case	DC double side cooled				0.003	$^{\circ}C/W$
$R_{th(c-h)}$	Thermal resistance case to heat sink					0.0015	
$F_m$	Mounting force			70	80	90	kN
$T_{stg}$	Stored temperature			-40		175	$^{\circ}C$
$W_t$	Weight				540		g
Outline	P65						



Nlps reserves the right to change specifications without notice.